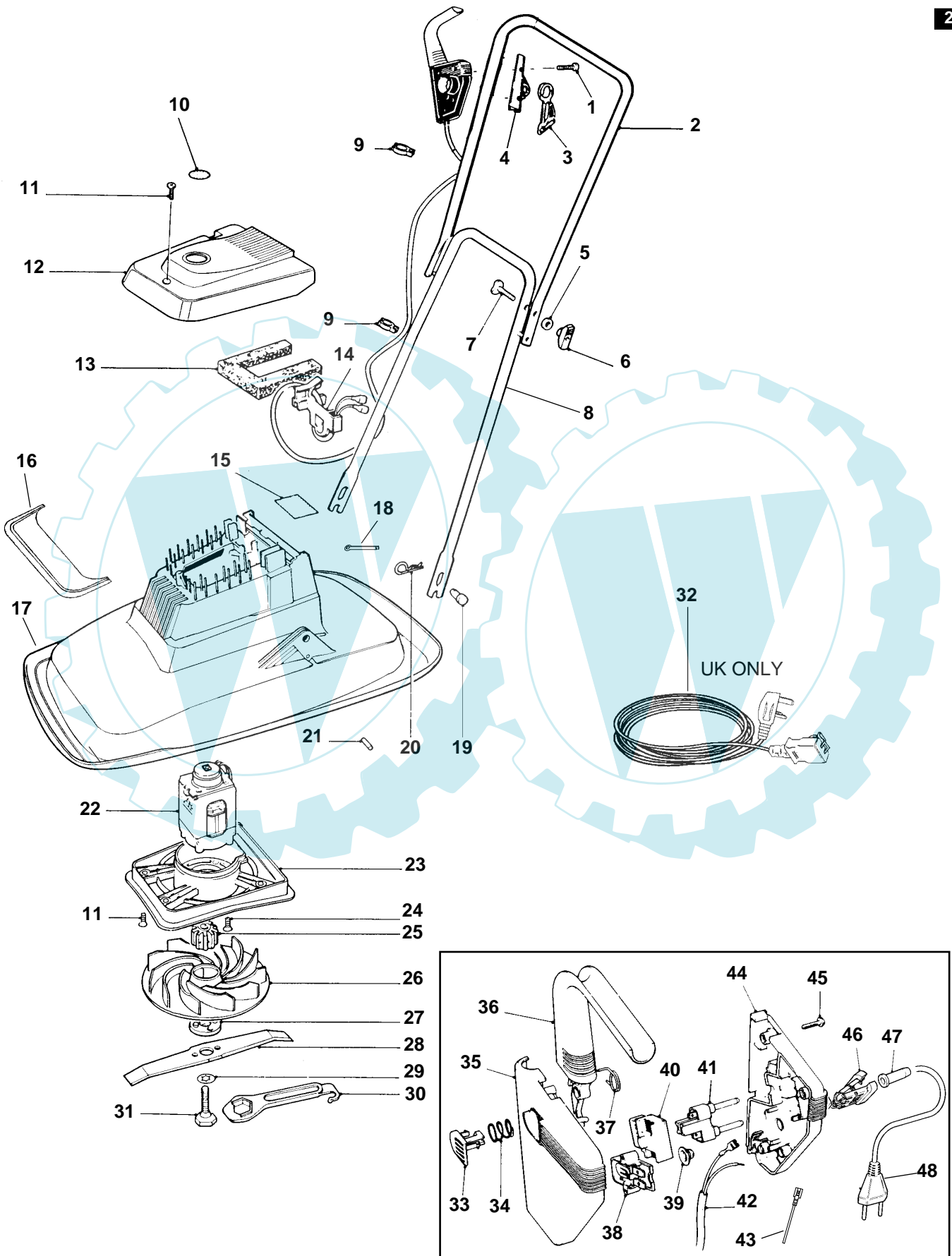


MODEL	E300
PRODUCT NO.	9633018, 9633019, 9633080



Flymo

MODEL	E300
PRODUCT NO.	9633018, 9633019, 9633080



KEY PART NUMBER	DESCRIPTION	QTY	
01 5146672-00/0	SCREW	2	
02 5126816-20/5	HANDLE/LABEL ASSY	1	GB.EI.
5127242-01/3	HANDLE,UPPER	1	AUS.N.DK.S.SF.A.B. D.F.NL.I.E.P.CH.
03 5138024-00/4	CORD GUIDE	1	AUS.A.B.D.F.I.E.P.NL.CH.
5148887-00/2	CORD GUIDE	1	N.DK.S.SF.
04 5117659-01/0	RETAINER,SWITCHBOX	1	GB.EI.
5117657-01/4	RETAINER,SWITCHBOX	1	AUS.N.DK.S.SF.A.B. D.F.NL.I.E.P.CH.
05 5140266-00/7	WASHER	2	
06 5137679-00/6	KNOB WING	2	
07 5148672-00/8	HANDLE BOLT	2	
08 5117690-01/5	HANDLE,LOWER	1	
09 5137750-00/5	CLIP CABLE	2	
10 5137855-01/0	LABEL,AUTOSTOP	1	
11 5146736-00/3	SCREW	5	
12 5126821-13/0	COVER ASSY	1	GB.EI.
5126821-15/5	COVER ASSY	1	AUS.
5126821-14/8	COVER ASSY	1	N.DK.S.SF.A.B.D.F. NL.I.E.P.CH.
13 5137638-00/2	FILTER	1	
14 5126741-00/7	CLAMP PLASTIC	1	
15 5146467-00/5	LABEL, WARNING	1	GB.EI.AUS.
5138117-00/6	LABEL, WARNING	1	CH.
5138205-00/9	LABEL, WARNING	1	N.DK.S.SF.
5138204-00/2	LABEL,WARNING	1	A.B.D.F.NL.I.E.P.
16 5126885-01/0	LABEL-FLYMO	1	
17 5126819-01/9	HOOD 30CM	1	
18 5141424-01/9	PIN SPLIT	2	AUS.
19 5140092-03/1	PIVOT PIN	2	
20 5140423-00/4	PIN RETAINING	2	GB.EI.N.DK.S.SF.A.B.D.F.NL.I.E.P.CH.
21 5147594-00/5	PIN	2	
22 5150005-01/4	MOTOR - 240V BRAKED	1	GB.EI. Use with product No: 9633018-01 ONLY
5150007-01/0	MOTOR - 240V	1	AUS. Use with product No: 9633018-99 ONLY
5150005-02/2	MOTOR - 220V	1	N.DK.S.SF.A.B.D.F.NL.I.E.P.CH. Use with product No: 9633019 ONLY
5150005-00/6	MOTOR - 230V	1	GB.EI.N.DK.S.SF.A.B.D.F.NL.I.E.P.CH.
23 5106491-00/3	MOTOR MOUNTING PLATE	1	
24 5148122-01/2	SCREW PLASTITE	4	
25 5126764-00/9	INSERT,IMPELLER	1	
26 5116967-10/9	IMPELLER	1	
27 5138110-01/9	BLADE SPACER PEGGED	3	
28 5126439-00/8	BLADE 30CM	1	
29 5148259-00/4	WASHER ANTI FRICTION PTFE	1	
30 5126682-00/3	SPANNER/SCRAPER	1	
31 5137608-00/5	BLADE BOLT C/W PTFE WASHER	1	
32 5127250-03/2	MAINS LEAD 20MT	1	GB.EI.
33 5127008-00/0	LOCK OFF	1	
34 5148658-00/7	SPRING-LOCK OFF	1	
35 5106539-01/7	SWITCHBOX UPPER	1	
36 5106481-01/2	LEVER	1	
37 5148657-00/9	SPRING-TORSION	1	
38 5127255-01/5	THERMAL CUT-OUT	1	
39 5149024-00/1	CUT-OUT COVER	1	AUS.
40 5137685-00/3	SWITCH	1	GB.EI.N.DK.S.SF.A.B.D.F.NL.I.E.P.
5137786-00/9	SWITCH	1	AUS.
5137894-00/1	SWITCH	1	CH.
41 5137686-00/1	PIN RETAINER	1	GB.EI.
5148784-00/1	PIN RETAINER	1	N.DK.S.SF.A.B.D.F. NL.I.E.P.
42 5148814-11/3	LEAD	1	
5148814-12/1	LEAD	1	AUS.
5148814-15/4	LEAD	1	CH.
5148814-14/7	LEAD	1	A.B.D.F.NL.I.E.P.
43 5148773-00/4	LEAD-INTERNAL	1	AUS.
44 5106538-00/1	SWITCHBOX LOWER	1	GB.EI.CH.
5106538-01/9	SWITCHBOX LOWER	1	AUS.
5106540-00/7	SWITCHBOX LOWER	1	N.DK.S.SF.A.B.D.F.NL.I.E.P.
45 5146672-00/0	SCREW	4	
46 5117528-00/9	CABLE RETAINER	1	AUS.CH.
47 5148741-00/1	PROTECTION SLEEVE	1	AUS.CH.
48 5148280-04/2	CONNECTING LEAD	1	AUS.

PRODUCT APPLICATION

9633018-01 GB.EI.	9633019-27 N.DK.S.SF.	9633080-22 CH.
9633018-99 AUS.	9633019-85 A.B.D.F.NL.I.E.P.	9633080-27 N.DK.S.SF.
9633019-22 CH.	9633080-01 GB.EI.	9633080-85 A.B.D.F.NL.I.E.P.

WHERE NO APPLICATION DETAILS ARE SHOWN, PART APPLIES TO ALL COUNTRIES

A Austria; AUS Australia; B Belgium; CND Canada; CH Switzerland; D Germany; DK Denmark; E Spain; EI Eire; F France; GB Great Britain; I Italy; N Norway; NL Netherlands; NZ New Zealand; O/S Overseas; P Portugal; S Sweden; SF Finland; USA America; ZA South Africa